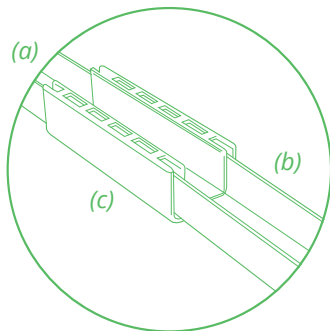


GETTING STARTED

Yard Sign and Window Decals

Set Up Your Yard Sign

- 1 Remove top (a) and bottom (b) sign posts from the bottom of the box.
- 2 Connect the two posts using the grey couple (c)
- 3 **BEFORE** attaching sign, select a location for your sign and tap the top portion with a mallet to secure into the ground.
- 4 Align the holes on the sign and post, and push the black rivets into the holes to secure.



Placing Your Window Decals

- 1 We recommend placing your decals at eye level, on the inside of windows on or near the front and back doors of your home.
- 2 Separate the decal from the paper and place the decal. Smooth to remove air bubbles.

NEED HELP? WWW.FRONTPOINT.COM/HELP